



honey homogenizer

Normit VPL series

100 / 250 / 600 / 1000 / 1500 LUX / 2000 / 5000

Normit HPL series

9000 / 12000 / 18000 / 22000 / 30000 / 45000

The Normit honey series homogenizers are **meant for thoroughly mixing, blending, and homogenizing various kinds of honey** to improve its qualities and to obtain certification for the entire batch.



Design

The Normit honey homogenizer series is an atmospheric horizontal cylindrical container with a heating jacket (steam or water with a pressure up to 5 bar) and a screw- type agitator. The heating jacket is in the form of a pillow- plate, which allows using a higher-pressure heat carrier (up to 5 bar, which can be tap water), reduces the thickness of the metal, improves heat conduction, and eliminates overheating at any point. The jacket is placed on the entire cylindrical surface of the homogenizer. For unloading product and carrying out maintenance, a hatch is set in the upper part of the homogenizer.

The homogenizer can be optionally supplied with an insulating layer.

In its basic version the honey homogenizer is designed for connecting an external source of heat. It can be optionally equipped with its own source of heat.

Homogenizer can be optionally supplied with a filtration system.

It is manufactured entirely from AISI304 stainless steel for the food industry, and AISI316L for parts in contact with the product can be supplied on request.



Normit HPL



Normit VPL

Advantages

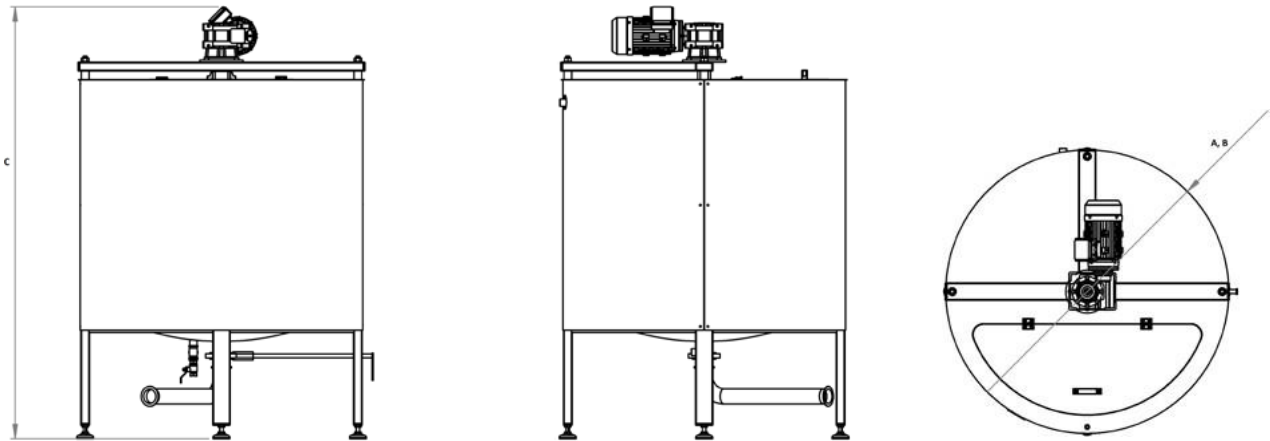
The special design of the agitator ensures fast and even mixing of honey, which allows you to have the entire batch of honey certified without problems after homogenizing it.

The efficient heating system with its specially-designed jacket ensures rapid melting of crystallized honey.

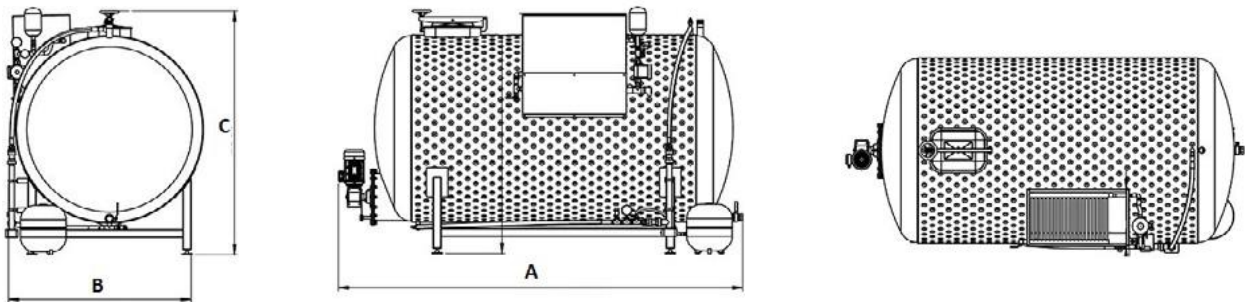
The honey homogenizer can be manufactured in any size according to the customer's needs.

Hygienic design, with no dead zones that don't get mixed.

Durable design with minimal maintenance costs, using high-quality materials and parts.



Normit VPL



Normit HPL

Normit VPL series

Model	100	250	600	1 000	1 500 LUX	2 000
A: length, mm	700	725	913	1 052	1 320	1 272
B: width, mm	800	725	913	1 052	1 320	1 272
C: height, mm	1 340	1 610	1 315	1 410	1 986	1 770

Heating connection to the external source of hot water or steam / integrated electric heating

Normit HPL series

Model	9 000	12 000	18 000	22 000	30 000
A: length, mm	4 130	3 920	5 380	5 800	6 500
B: width, mm	1 530	1 896	1 830	2 300	2 150
C: height, mm	2 160	2 388	2 460	2 600	2 800

Heating connection to the external source of hot water or steam / integrated electric heating




NORMIT FOOD, s. r. o.
Pezinská cesta 5104
901 01 Malacky,
SLOVAKIA



CONTACTS

GD Process Design , LLC

 N76 W30500 County Road Vv
Hartland, WI 53029



Ph: 262-361-4080
Fax: 262-966-0312

sales@gdprocessdesign.com
www.gdprocessdesign.com