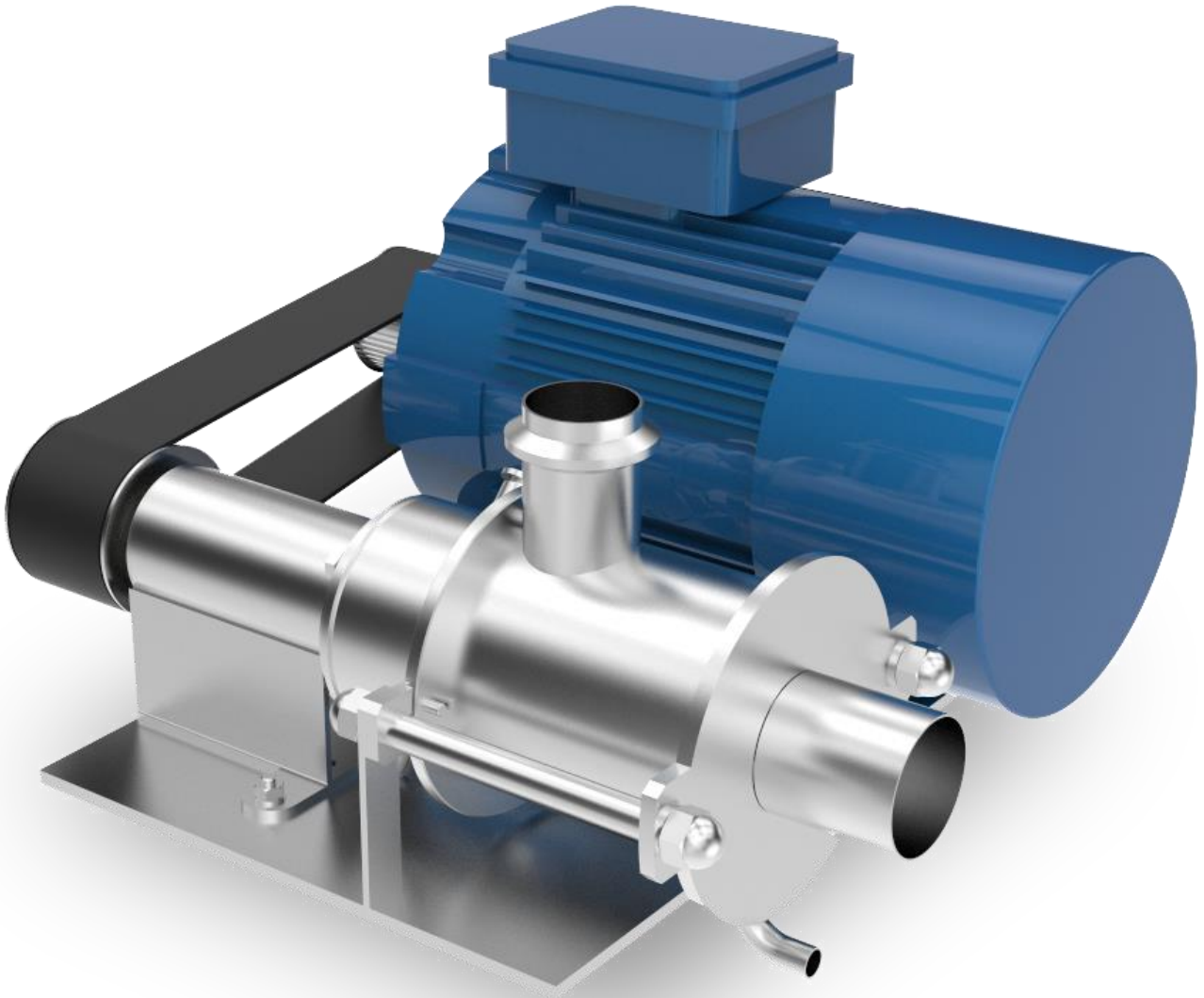


Homogenizers Inline

Models: Gydromix

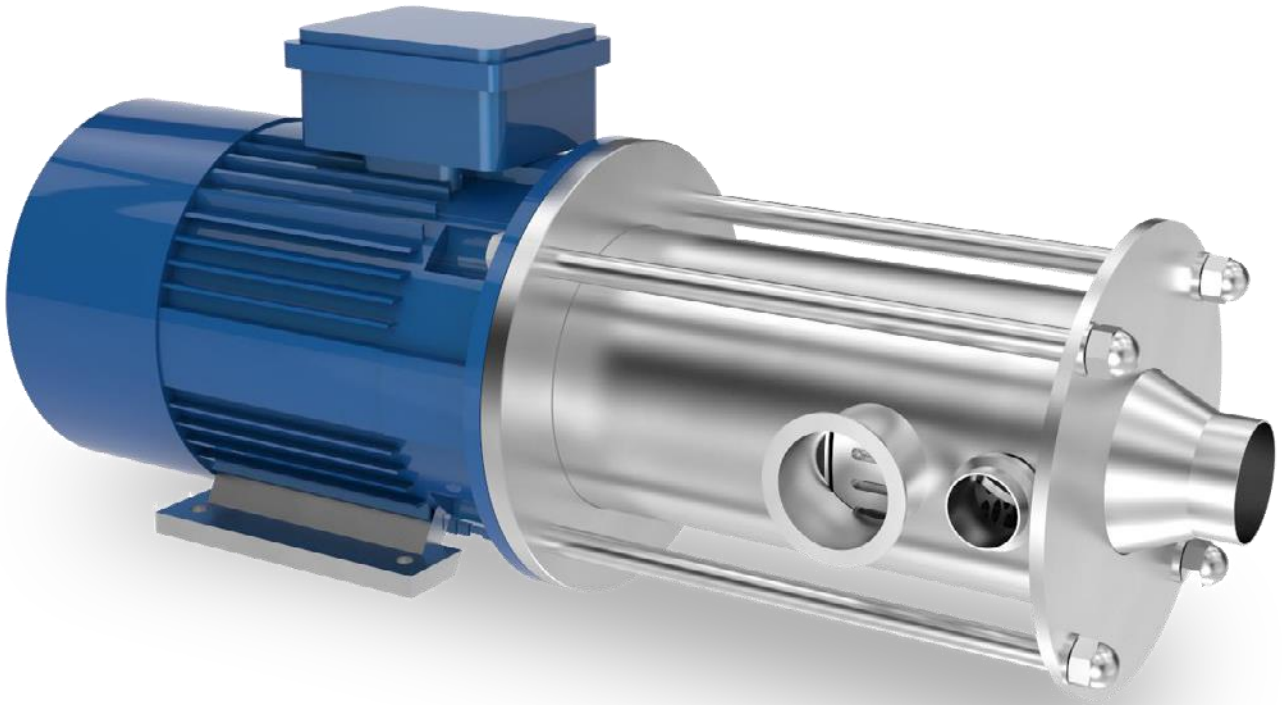


Homogenizer GYDROMIX multi-chamber inline dispersing mixers and homogenizers are mainly used in systems of universal homogenizing modules for producing multi-component products with high flexibility for the recipe and technological process.



Homogenizers Inline

Models: Gydromix



Gydromix homogenizers includes an electric engine, a homogenizing unit, a seal, a bearing unit, a frame, a belt, a pair of pulleys, and fastenings (grips).



The dispersing mixers within this is 20-100 μ m (depending on the type of the product, the power of the dispersing homogenizer, and the number of processing cycles). **Below is the image of Gydromix SOLO.**



Homogenizers are designed for high quality crushing, dispersion, and mixing of products in a flow. While passing through the operating area, the product is variously affected by the operating parts, which allows achieving an exceptional level of mixing, particle reduction, and dispersion in just one cycle.

Processes:

- Emulsifying
- Homogenizing
- Solubilizing
- Suspending
- Dispersing and disintegrating solids

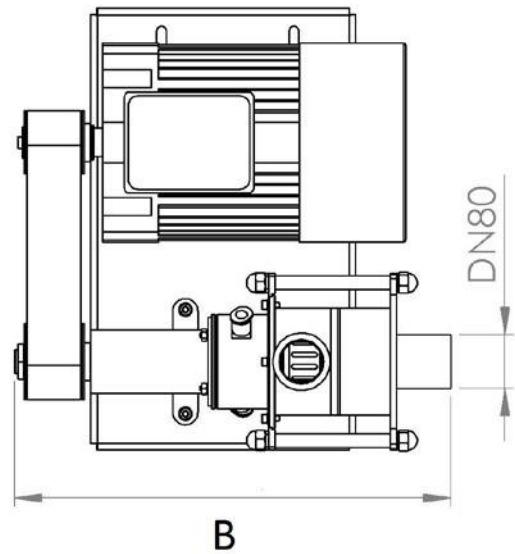
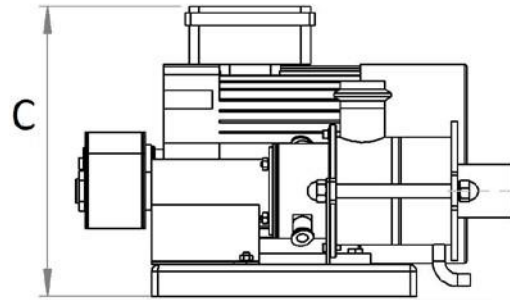
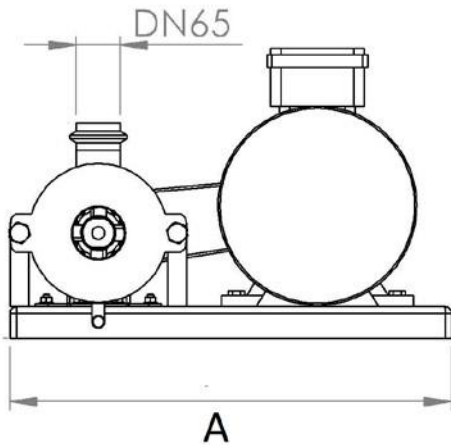
Normit company offers 3 types of Gydromix homogenizers:

- Gydromix - homogenizer, pump
- Gydromix Complet - replaceable engine
- Gydromix SOLO - without engine

Possibility of building your own custom-design homogenizers; depending on the type of product (viscosity, thickness), a more powerful motor can be installed; you can install a special type of engine and select the revolution speed of homogenizer by fitting necessary power transmission wheels (pulleys).

Homogenizers Inline

Models: Gydromix



Model: Gydromix	5,5	7,5	11	18,5	22	37
Power, kW	5,5	7,5	11	18,5	22	37
Lenght, mm	600	672	690	1060	1100	1225
Width, mm	650	690	690	366	366	366
Height, mm	360	400	420	458	510	510

Model: Gydromix Compleat	5,5	7,5	11	18,5	22	37
Lenght, mm	600	620	690	735	750	860
Width, mm	650	670	700	730	780	820
Height, mm	360	400	420	458	470	510

Model: Gydromix SOLO	5,5	7,5	11	18,5	22	37
Lenght, mm	690	690	690	690	690	690
Width, mm	280	280	280	280	280	280
Height, mm	296	296	296	298	298	298

Benefits:

- High performance.
- Efficient mixing and homogenization.
- Can operate at high temperature.
- Easy cleaning and maintenance.
- Short production time.
- High product quality and durability.
- Conserving energy, materials and processes.



CONTACTS

GD Process Design, LLC

N76 W30500 County Road Vv
Hartland, WI 53029



Ph: 262-361-4080
Fax: 262-966-0312

sales@gdprocessdesign.com
www.gdprocessdesign.com