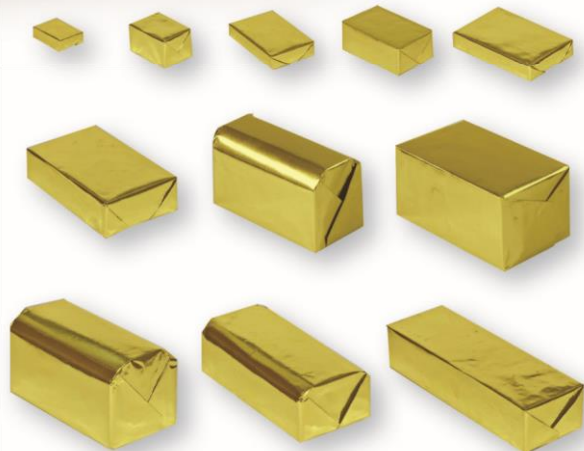


ARM

BUTTER / MARGARINE FILLING AND WRAPPING MACHINE

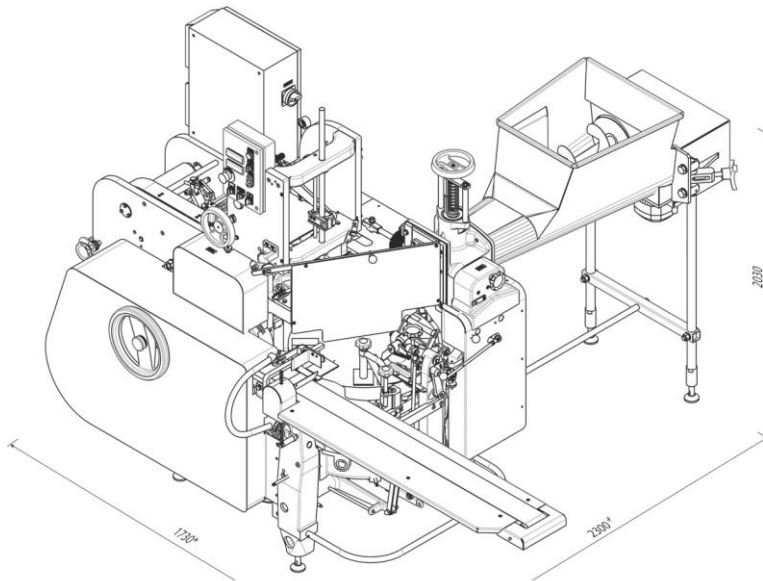


AB FASA

Sporto str. 9
Marijampole, LT-68108, Lithuania
Tel: +370 343 70 481
Fax: +370 343 70 469
Email: sales@fasa.eu
www.fasa.eu

FASA Representative

GD Process Design, LLC
N76 W30500 County Rd Vv
Hartland, WI 53029, USA
Tel: +1 262 361 4080, Fax: +1 262 966 0312
Email: sales@gdprocessdesign.com
www.gdprocessdesign.com



ARM margarine, curd and other edible fats in aluminum foil or parchment paper. Two product feeding options are available: hopper with augers or direct feed from the processing line.

ARM machine offers a wide dosing range (8 – 1000 g) and a big variety of brick sizes.

TECHNICAL DATA	
Machine type	rotary
Output, bricks/min	20 – 80 (depends on the product weight)
Output control	step-less
Dosing range, g	8 – 1000
Recommended temperature of product, °C	12 – 15
Batch	volumetric
Wrapping material	aluminum foil laminates, parchment paper
Roll external diameter, mm	up to 400
Roll width, mm	85 – 330
Roll bushing diameter, mm	70
Thickness, mm	0,05 – 0,08
Compressed air consumption, m ³ /min	0,013
Rated power input, kW	1,5 – 2,2
Voltage, V	230/400 ±10%
Frequency, Hz	50 – 60
Dimensions (L x W x H), mm	1730 x 2300 x 2030
Weight, kg	1460
WEIGHT INTERVALS FOR PACKING (USING ONE MACHINE)	
ARM 23	8-25 g
ARM 02	50-250 g
ARM 10	250 g-500 g
ARM 43	500-1000 g*

* Depends on the package



OPTIONS

- Dosing unit for direct line feeding
- Protective machine covers with locking system
- Central lubrication system
- Hopper protection sensor
- Hopper cover with blocking system
- Heated cutter for margarine
- Inkjet or thermal date printer
- Stainless steel inserts in portion forming table