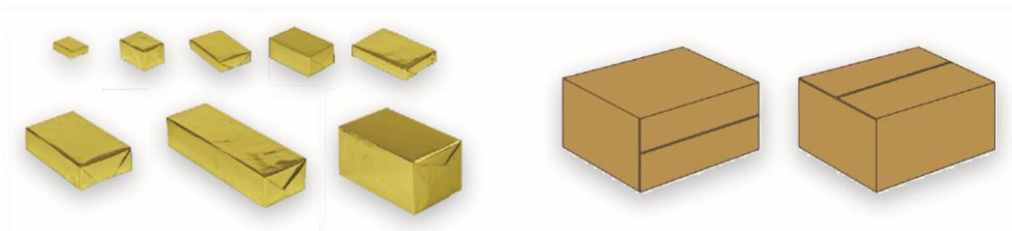


DSU

BUTTER CASE PACKER

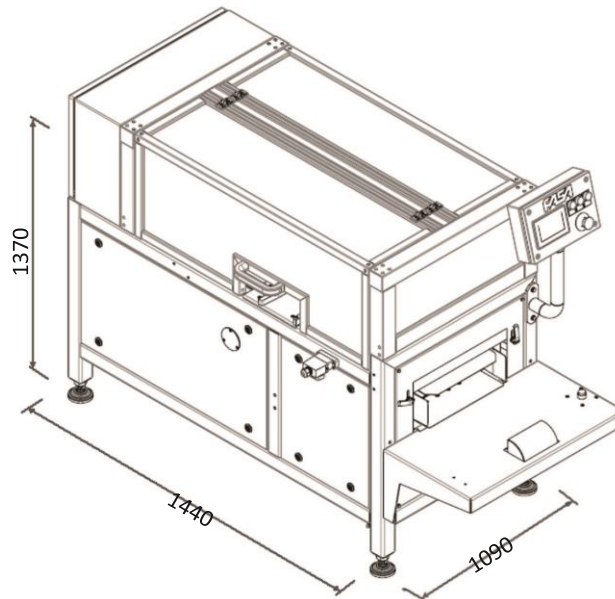


AB FASA

Sporto str. 9
Marijampole, LT-68108, Lithuania
Tel: +370 343 70 481
Fax: +370 343 70 469
Email: sales@fasa.eu
www.fasa.eu

FASA Representative

GD Process Design, LLC
N76 W30500 County Rd Vv
Hartland, WI 53029, USA
Tel: +1 262 361 4080, Fax: +1 262 966 0312
Email: sales@gdprocessdesign.com
www.gdprocessdesign.com



DSU is a semi-automatic cartoning machine used for grouping and stacking of butter bricks packed with ARM or other filling and wrapping machines. It serves as exceptionally reliable and cost-effective end of the line solution.

Simple, user-friendly control panel with function keys, robust construction, easy maintenance and access to all serviceable parts makes DSU consistently attractive. Box feeding through the top or through the side options available.

TECHNICAL DATA	
Machine type	semi-automatic
Output, bricks/min, single line feeding	up to 120*
Inner box dimensions, mm	Min 60 x 100 x 20, Max 295 x 395 x 220
Air compression, MPa (kg/cm ²)	0,58 - 0,63 (5,8 - 6,3)
Air consumption, m ³ /min	up to 0,0015
Installed capacity, VA	800
Voltage, V	120 – 230 AC
Frequency, Hz	50 - 60
Dimensions (L x W x H), mm	1440 ** x 1090 x 1370
Approx. weight, kg	250

*200g 100x75x29 mm – 40 bricks in box

**depends of the length of the box

